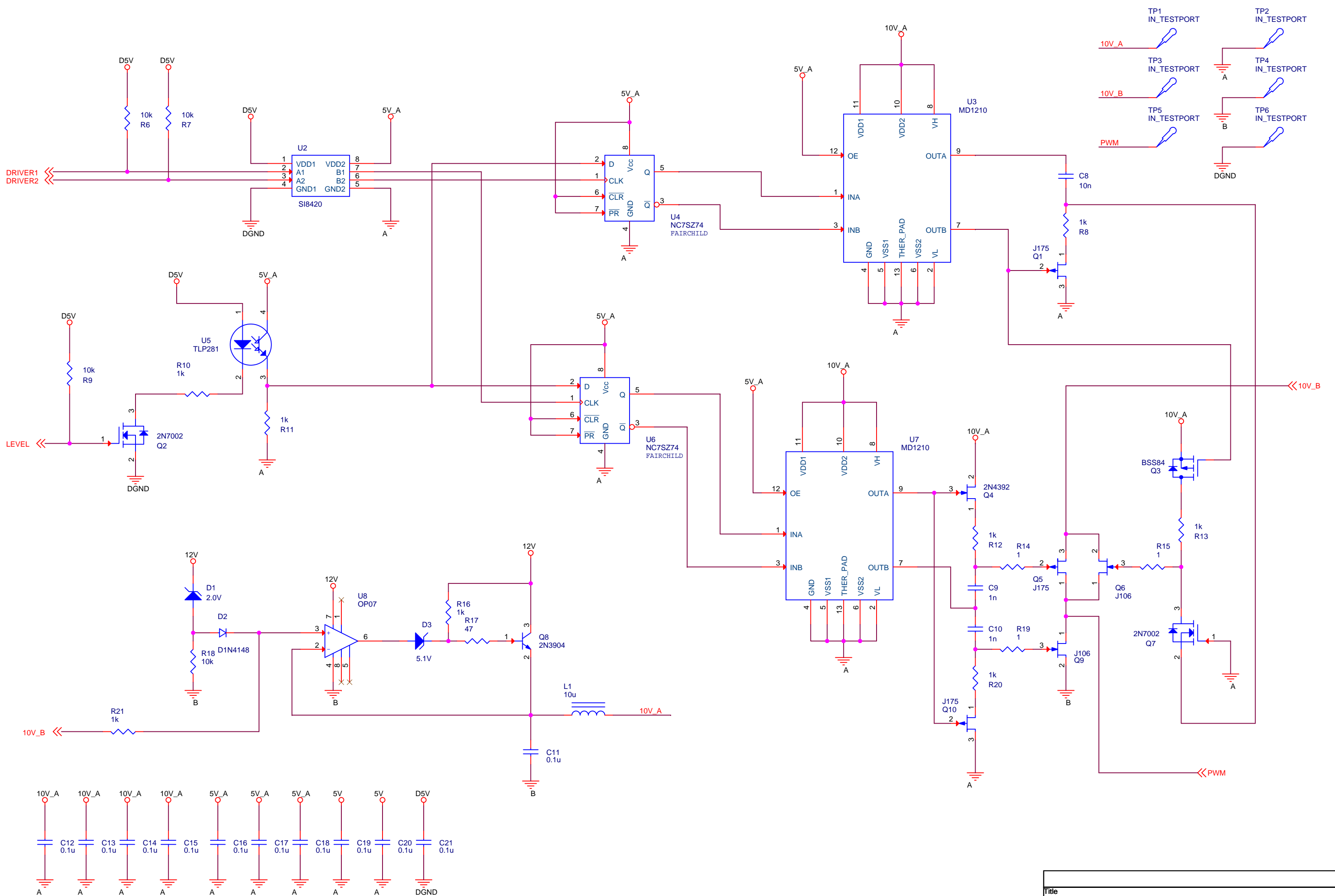
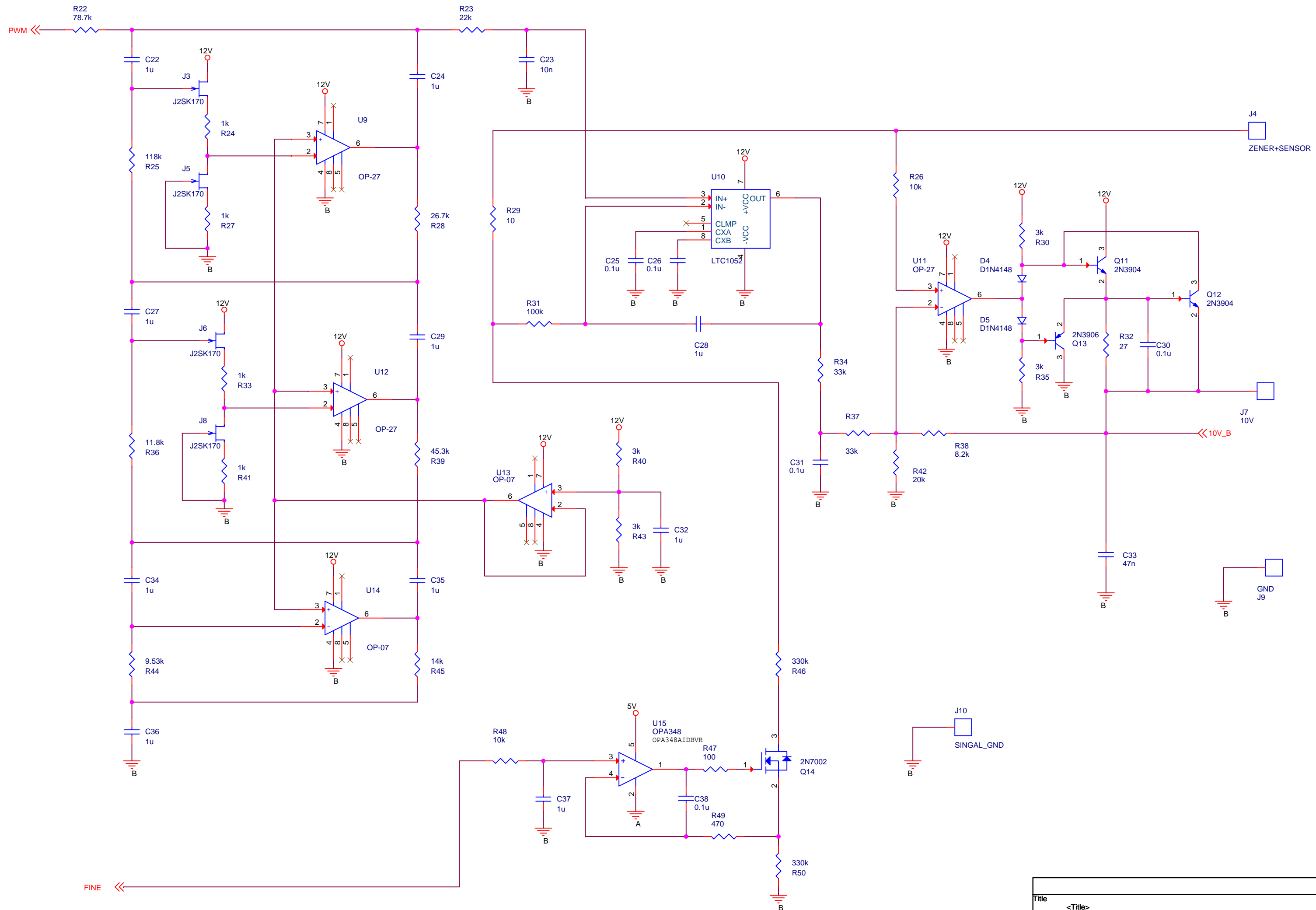


Title		
<Title>		
Size	Document Number	Rev
A3	<Doc>	<RevC>
Date:	Thursday, August 18, 2022	Sheet 1 of 6



Title		<Title>
Size	Document Number	Rev
A3	<Doc>	<RevC>
Date:	Thursday, August 18, 2022	Sheet 2 of 6



Title		
<Title>		
Size	Document Number	Rev
A3	<Doc>	<RevC>
Date:	Thursday, August 18, 2022	Sheet 3 of 6