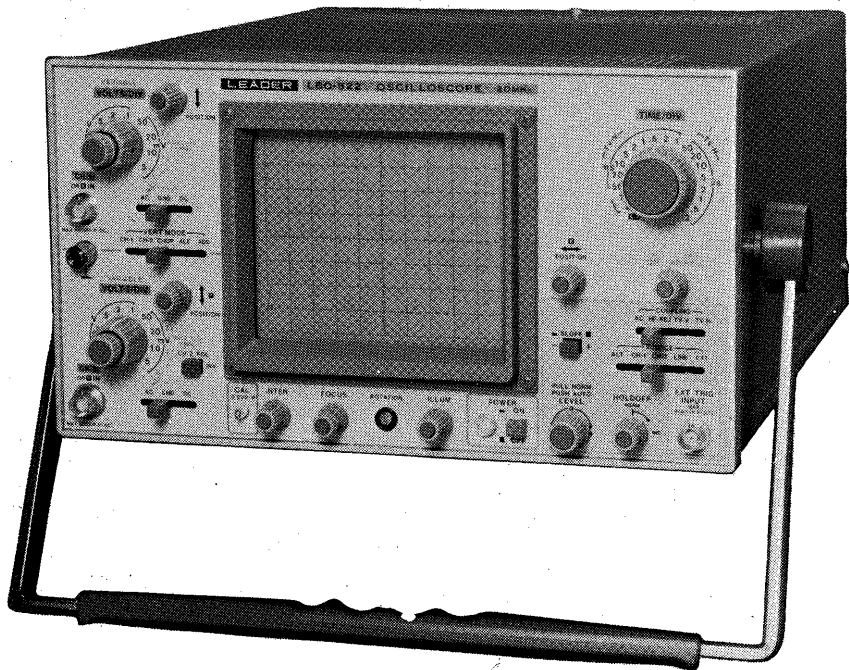
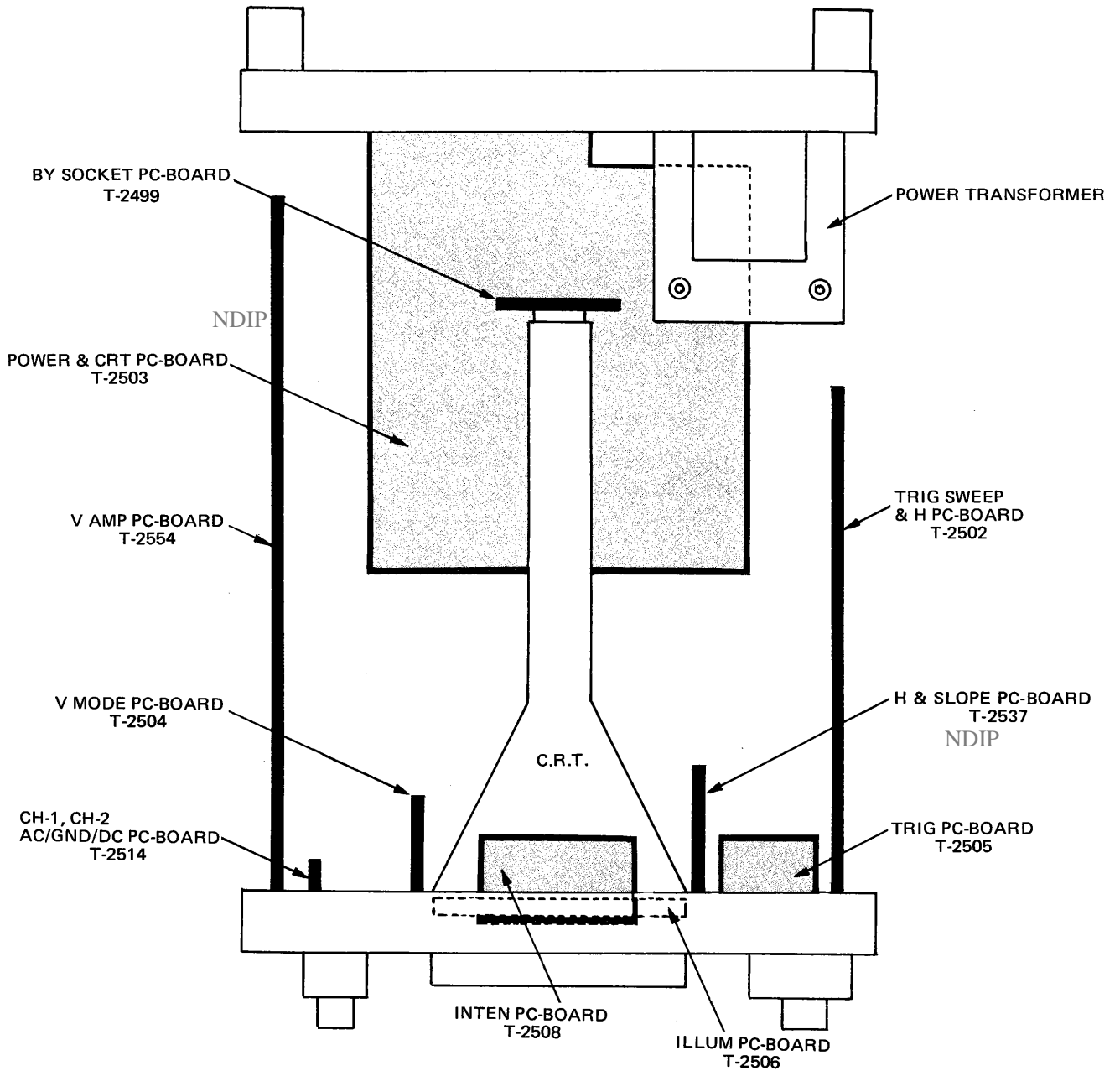
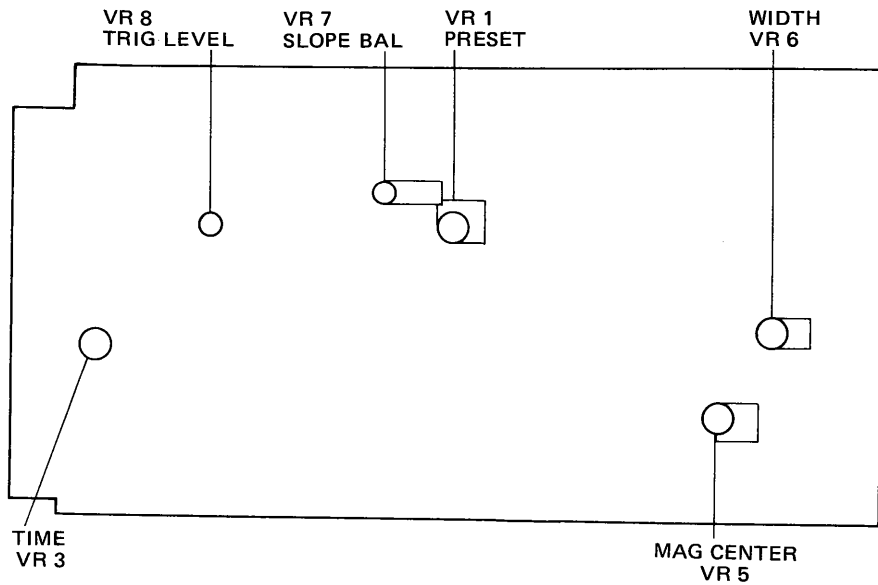


NDIP

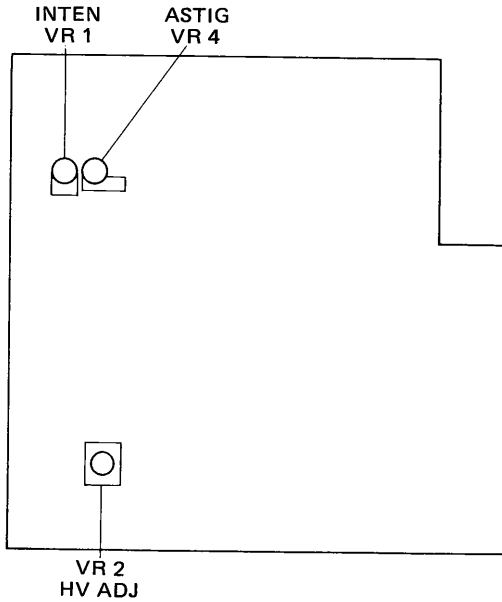






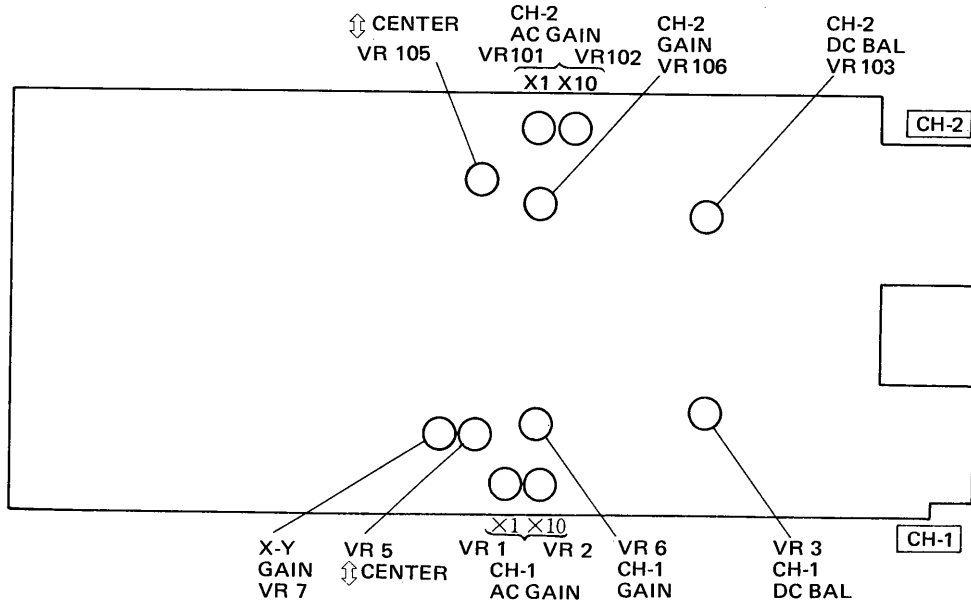
T-2503 POWER & CRT PC-BOARD (Components side view)

NDIP

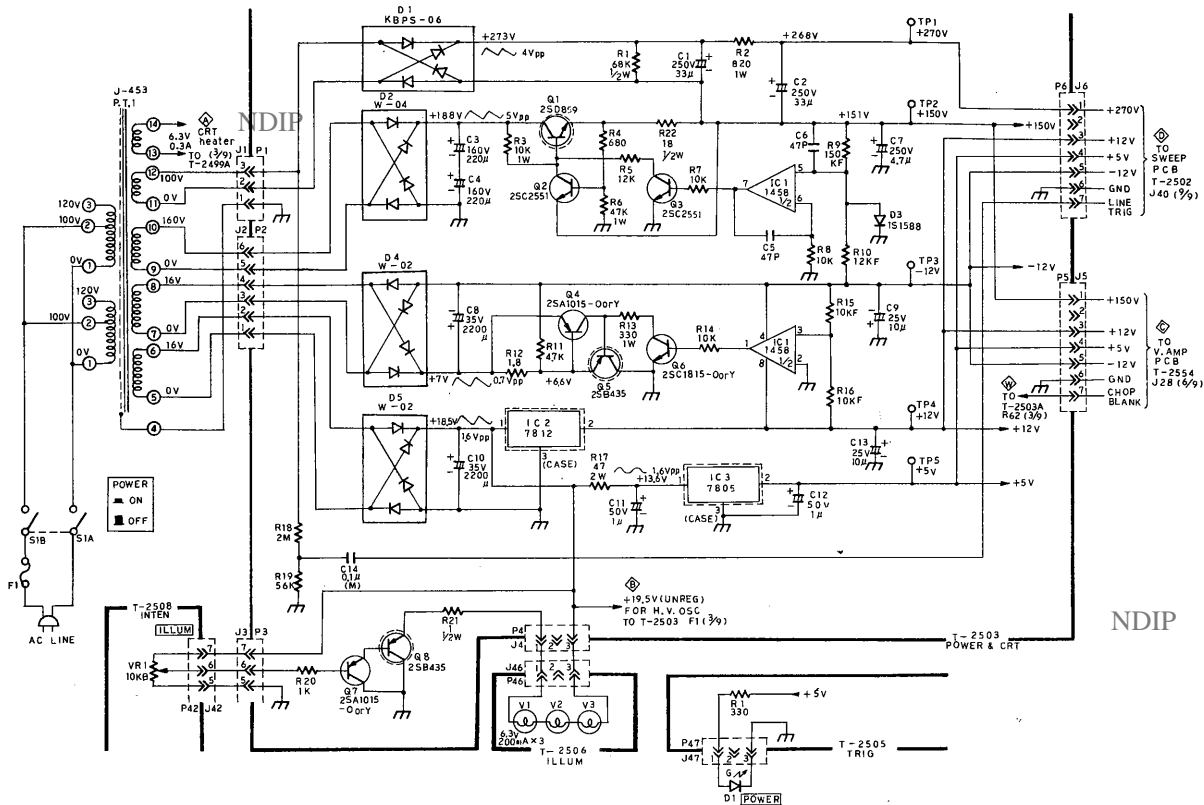


NDIP

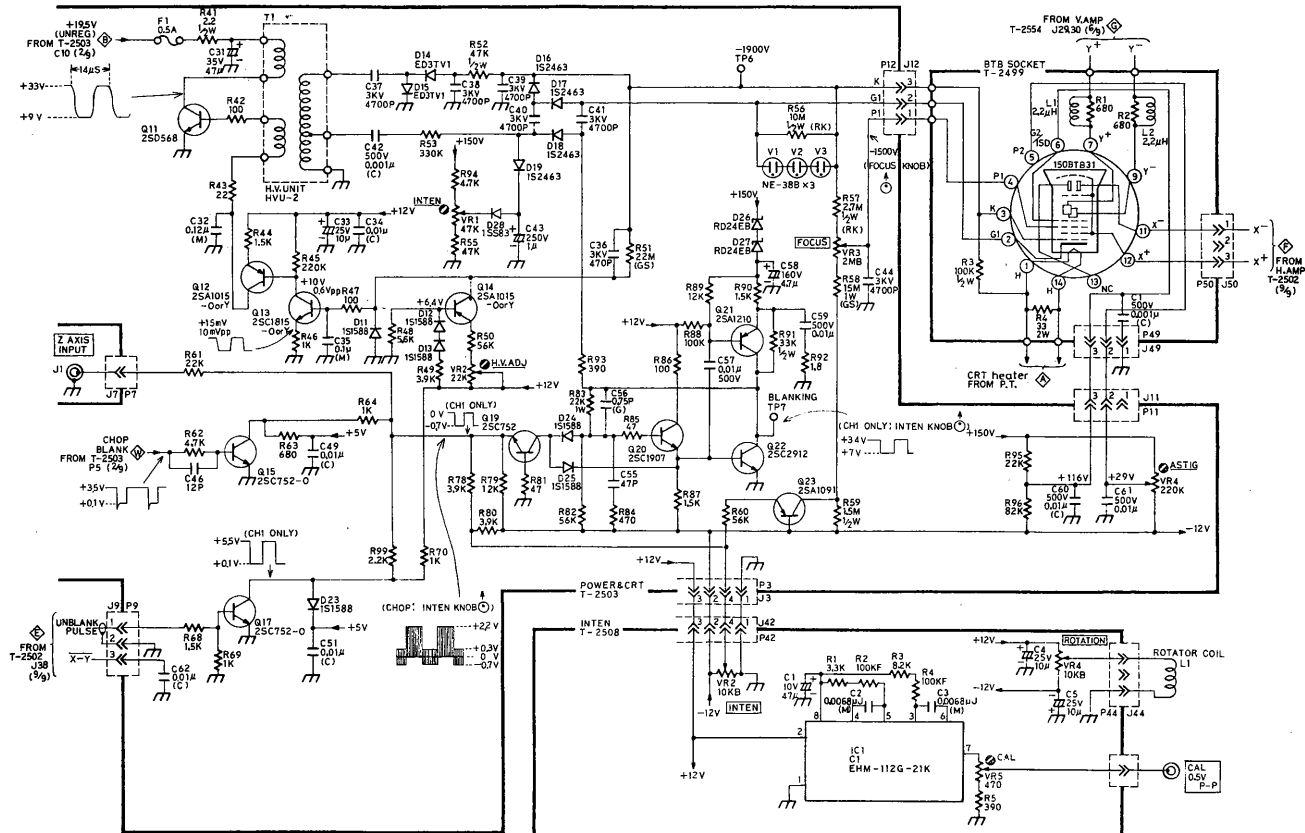
T-2554 V AMP PC-BOARD (Components side view)

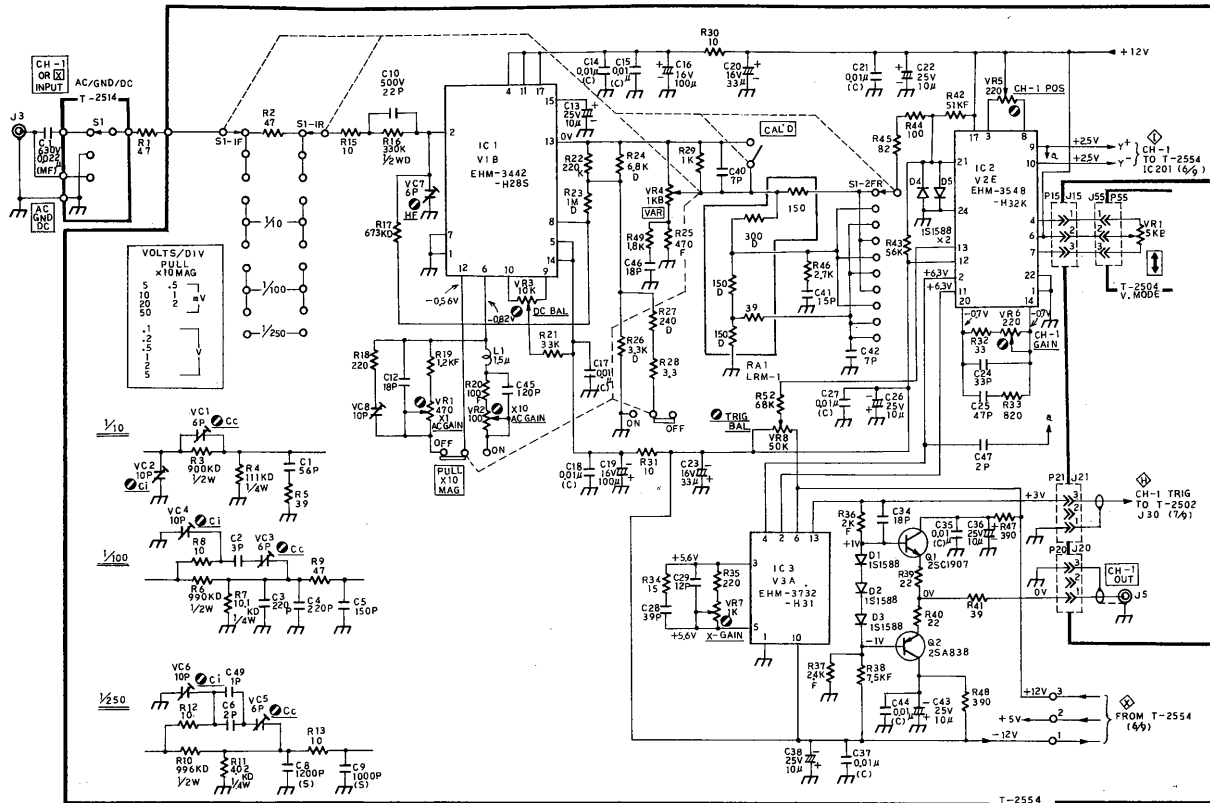




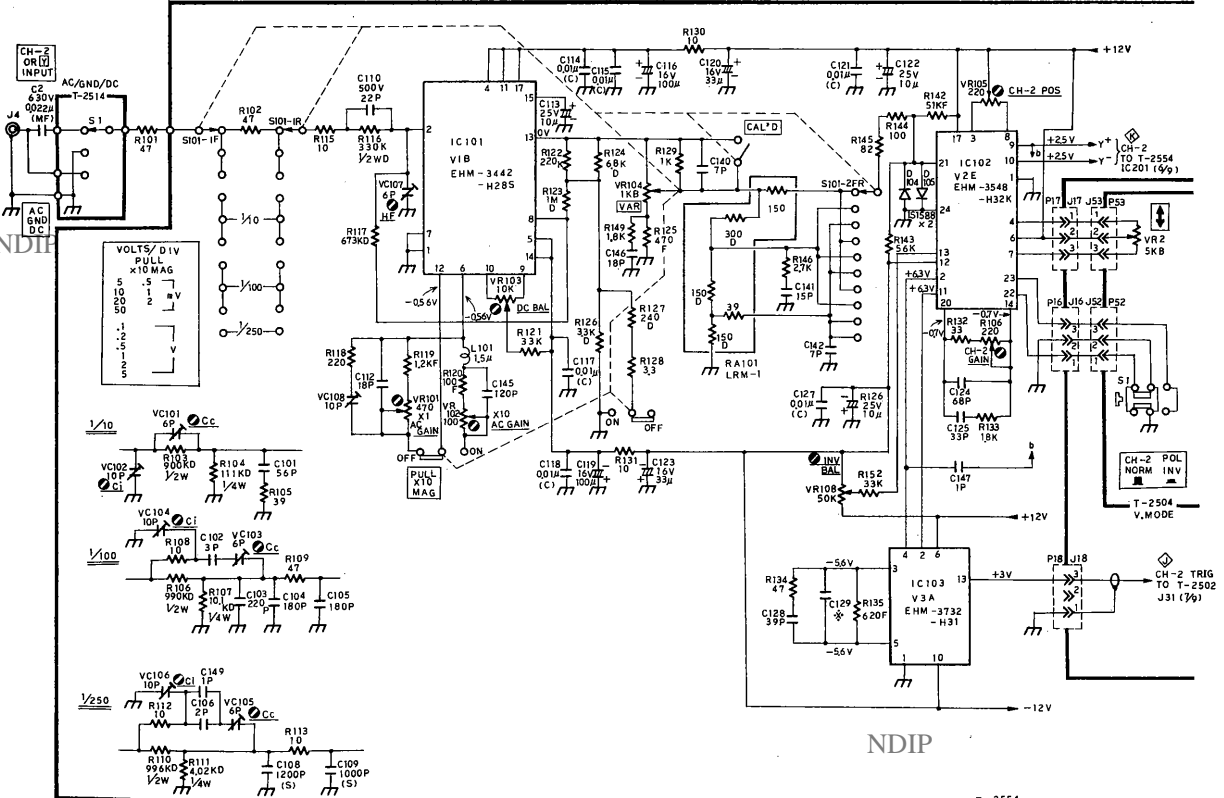


NDIP





NDIP



VOLTS / DIV  
PULL  
x10 MAG

5	.5	mV
10	1	mV
20	2	mV
50	5	mV
.1	.1	V
.2	.2	V
.5	.5	V
1	1	V
2	2	V
5	5	V

1/10

1/100

1/250

NDIP

T-2554  
V. A.M.P

