

20 dB Fixed Attenuator SMA Male To SMA Female Up To 18 GHz Rated To 50 Watts With Black Aluminum Heatsink Body

Electrical Specifications



| Description | Min | Typ | Max | Units |
|----------------------|-----|-----|--------|--------|
| Frequency Range | DC | | 18 | GHz |
| Impedance | | 50 | | Ohms |
| Nominal Attenuation | | 20 | | dB |
| Attenuation Accuracy | | | ±1.5 | dB |
| VSWR | | | 1.35:1 | |
| Input Power, CW | | | 50 | Watts |
| Input Power, Peak | | | 1 | KWatts |

Mechanical Specifications

| | |
|---------------------------|----------------------------------|
| Size | |
| Length | 4.79 in [121.67 mm] |
| Width/Diameter | 1.5 in [38.1 mm] |
| Weight | 0.33687 lbs [152.8 g] |
| Body Material and Plating | Black Anodized Aluminum Heatsink |

| | |
|----------------------|----------------------|
| Configuration | |
| Design | Fixed, Bidirectional |

| Description | Connector 1 | Connector 2 |
|-------------------------|------------------------|------------------------|
| Type | SMA Male | SMA Female |
| Body Material & Plating | Beryllium Copper, Gold | Beryllium Copper, Gold |

Environmental Specifications

| | |
|--------------------|-------------------|
| Temperature | |
| Operating Range | -55 to +125 deg C |

Compliance Certifications (visit www.FairviewMicrowave.com for current document)

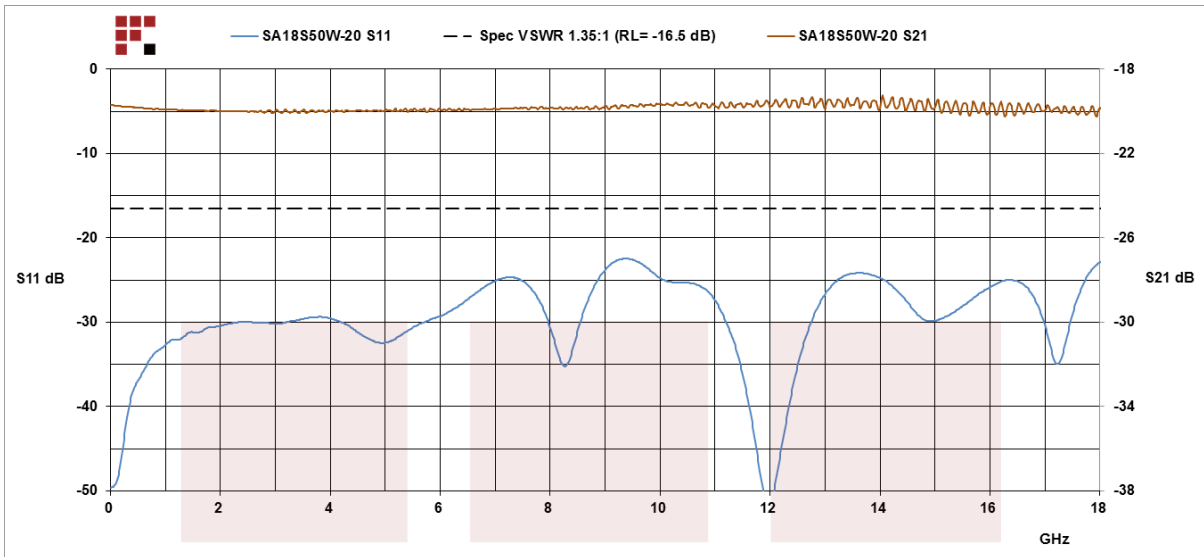
| | |
|-----------------|-----|
| RoHS Compliant | Yes |
| REACH Compliant | Yes |

Plotted and Other Data

Notes:

Fairview Microwave
 1130 Junction Dr. #100
 Allen, TX 75013
 Tel: 1-800-715-4396 / (972) 649-6678
 Fax: (972) 649-6689
www.fairviewmicrowave.com
sales@fairviewmicrowave.com

Typical Performance Data

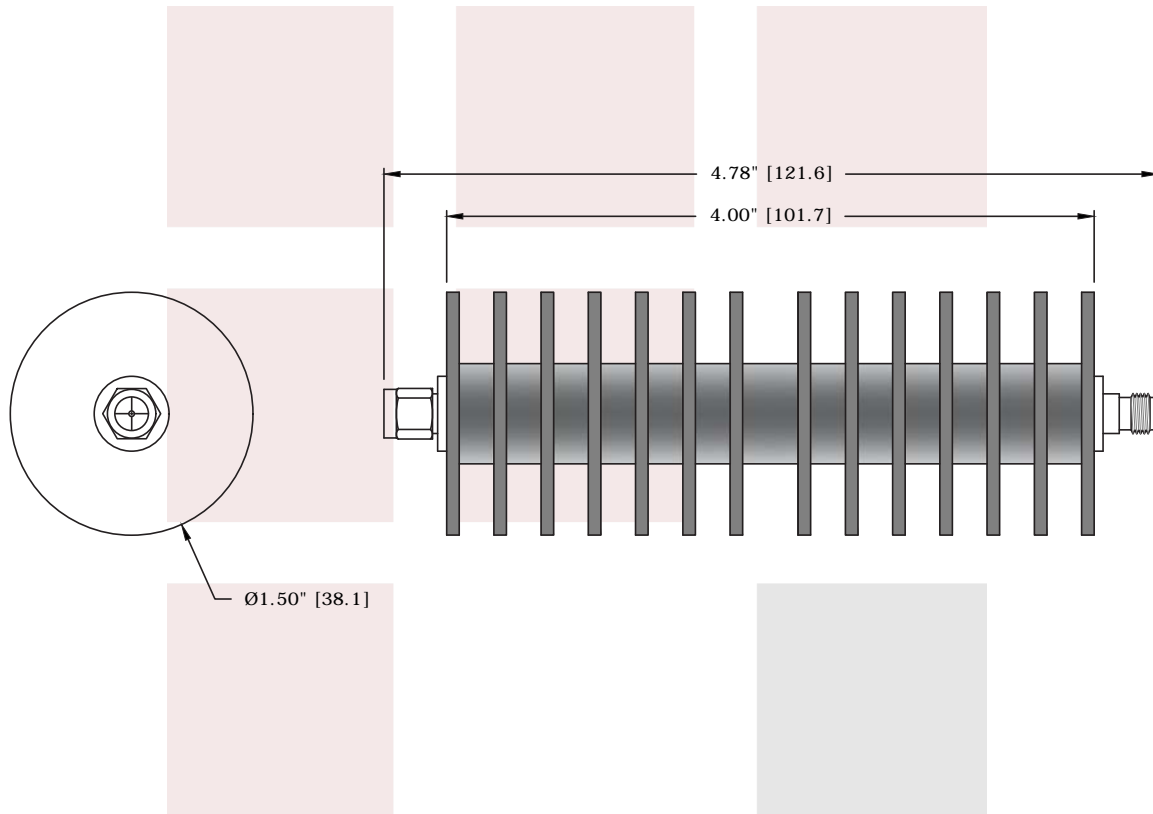


20 dB Fixed Attenuator SMA Male To SMA Female Up To 18 GHz Rated To 50 Watts With Black Aluminum Heatsink Body from Fairview Microwave is in-stock and available to ship same-day. All of our RF/microwave products are available off-the-shelf from our ISO 9001:2008 certified facilities in Allen, Texas. Fairview Microwave is RF on-demand.

For additional information on this product, please click the following link: [20 dB Fixed Attenuator SMA Male To SMA Female Up To 18 GHz Rated To 50 Watts With Black Aluminum Heatsink Body SA18S50W-20](http://www.fairviewmicrowave.com/20db-fixed-attenuator-sma-male-sma-female-50-watts-sa18s50w-20-p.aspx)

URL: <http://www.fairviewmicrowave.com/20db-fixed-attenuator-sma-male-sma-female-50-watts-sa18s50w-20-p.aspx>

The information contained in this document is accurate to the best of our knowledge and representative of the part described herein. It may be necessary to make modifications to the part and/or the documentation of the part, in order to implement improvements. Fairview Microwave reserves the right to make such changes as required. Unless otherwise stated, all specifications are nominal. Fairview Microwave does not make any representation or warranty regarding the suitability of the part described herein for any particular purpose, and Fairview Microwave does not assume any liability arising out of the use of any part or documentation.



| | | | | | |
|---|--------|---|-------|---------------------------|-------------|
| FAIRVIEW MICROWAVE INC. ALLEN, TX 75013 WWW.FAIRVIEWMICROWAVE.COM | | NOTES: 1. UNLESS OTHERWISE SPECIFIED ALL DIMENSIONS ARE NOMINAL. 2. ALL SPECIFICATIONS ARE SUBJECT TO CHANGE WITHOUT NOTICE AT ANY TIME. 3. DIMENSIONS ARE IN INCHES [mm]. | | | |
| TITLE 20 dB Fixed Attenuator SMA Male To SMA Female Up To 18 GHz Rated To 50 Watts With Black Aluminum Heatsink Body | | DWG NO SA18S50W-20 | | CAGE CODE 3FKR5 | |
| CAD FILE | 111715 | SHEET | SCALE | N/A | SIZE A 5568 |